



LF LOG FORKS and GRAPPLES

**VISIBILITY PLUS FEATURES
EVERY LOG YARD NEEDS**

LF LOG FORKS AND GRAPPLES GET THE JOB DONE

Visibility, reliability and capacity – three important factors that combine to guarantee efficient log handling. Rockland LF Log Forks combine all three to deliver years of productive log handling. Here are the reasons a new LF Log Fork will complement the performance of your loader:

VISIBILITY - Smart operators know they can move more wood every shift if they can see what they are doing. Rockland LF Log Forks are designed for maximum visibility—the tine tips can be seen at ground level because of the low-profile frame. In addition, when the LF is equipped with a hydraulic clamp, the clamp supports and cylinders are located out of the operator's line of sight so they can see what they are doing—not watching the cylinders work while guessing where the tines are!

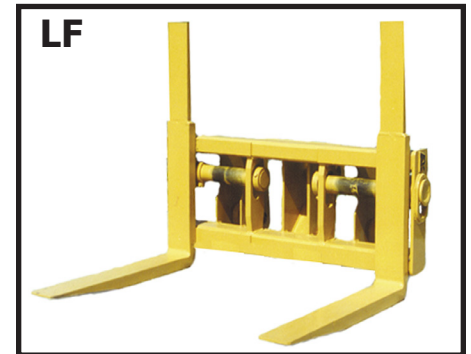
RELIABILITY – Rockland has been building log forks for over 30 years. These units reflect our years of experience and dedication to quality. They are truly designed to perform and built to last.

The high visibility open frames are manufactured from rugged, high-strength, rectangular alloy steel tubing. The heat-treated steel tines are forged from solid, high strength alloy plate. Rockland doesn't use cheap tines cut from plate and welded together at the heel. Never have. Never will.

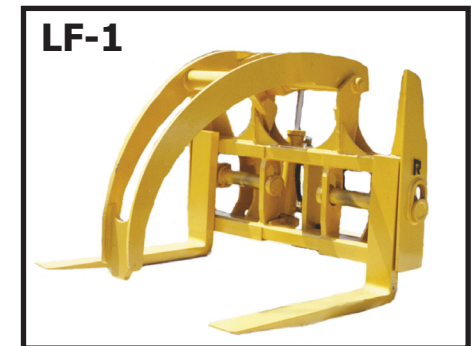
Rockland hydraulics are first class. We use high pressure fittings and hose. There are cheaper fittings. Some people use them. We don't! Hydraulic cylinders are at the heart of any fork equipped with a clamp. Rockland cylinders feature oversize pins, induction hardened, heat treated, chrome-plated rods, and high temperature long life O-rings and seals. All this can be summed up in one word. Quality. We build our products to last and that's why knowledgeable yard operators have been specifying Rockland LF Log Forks for years!

FEATURES AND OPTIONS – LF Log Forks have the features every log yard needs. All LF's are equipped with adjustable floating tines that help compensate for uneven ground. Tine spacing is infinitely adjustable so you can set them to suit your operation. If you prefer fixed, non-floating adjustable tines, or der the float-lock option. If your operation demands a clamp for positive load control, choose either the LF-1 or LF-W. The LF-1 has a single clamp that provides positive load control with minimum weight and cost. LF-1's are available for both center bell crank and conventional boom arms. The LF-W has a wide dual cylinder clamp for maximum load control.

Yes, Rockland LF Log Forks are truly designed to perform and built to last. For maximum productivity and years of dependable service, equip your loader with a Rockland LF Log Fork.

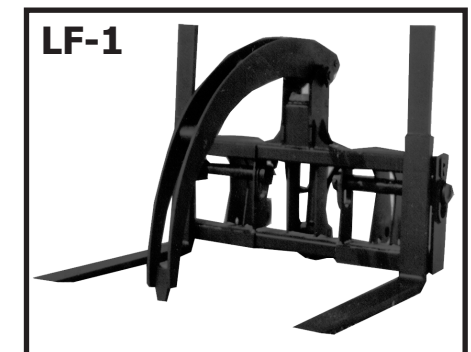


LF



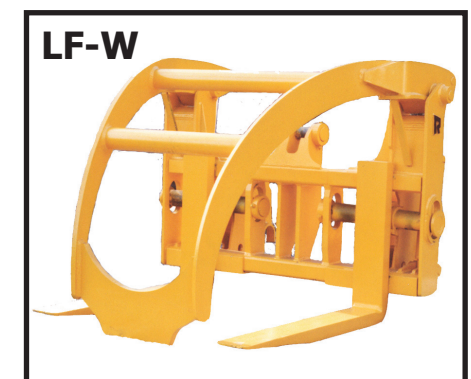
LF-1

For center bell crank machines



LF-1

For conventional boom arms



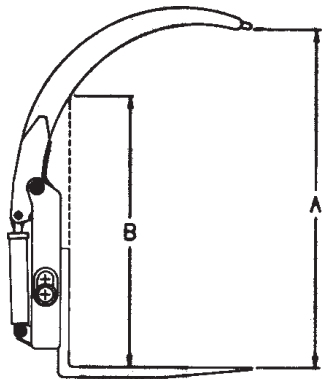
LF-W

LOG FORKS AND GRAPPLES SPECIFICATIONS

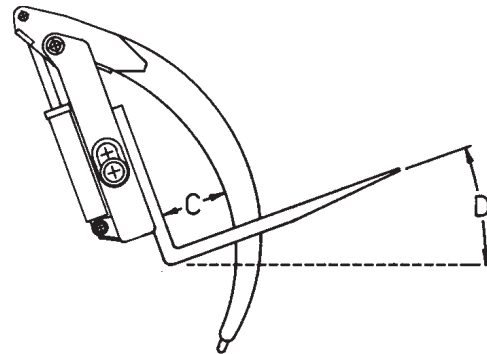
Machine Category	10	20	30	40	50	
Tine Size (")	2x6x48 <i>51x152x1219</i>	2.25x6x48 <i>57x152x1219</i>	2.75x7x48 <i>70x178x1219</i>	3x7x48 <i>76x178x1219</i>	3.5x8x60 <i>89x203x1524</i>	
A. Clamp Opening @ Tip (")	88 <i>2235</i>	88 <i>2235</i>	88 <i>2235</i>	98 <i>2489</i>	100 <i>2540</i>	
B. Height of Load Area (LF-1, LF-W) (")	73 <i>1854</i>	73 <i>1854</i>	73 <i>1854</i>	84 <i>2134</i>	85 <i>2159</i>	
C. Clamp Closure (")	12 <i>305</i>	12.5 <i>318</i>	14 <i>355</i>	12.5 <i>318</i>	12.5 <i>318</i>	
D. Min. Rollback @ Ground	20°	20°	20°	20°	20°	
Overall Width (")	72 <i>1829</i>	72 <i>1829</i>	72 <i>1829</i>	72 <i>1829</i>	72 <i>1829</i>	
Max. Width Over Tines (")	68 <i>1727</i>	67.5 <i>1715</i>	67.5 <i>1715</i>	67.5 <i>1715</i>	66.5 <i>1689</i>	
Min. Width Over Tines (")	36 <i>914</i>	36 <i>914</i>	36 <i>914</i>	36 <i>914</i>	36 <i>914</i>	
Weight (lbs.)	LF	1470 <i>667</i>	1545 <i>701</i>	2125 <i>964</i>	2565 <i>1163</i>	3430 <i>1536</i>
	LF-1	2210 <i>1002</i>	2345 <i>1164</i>	3070 <i>1393</i>	3610 <i>1637</i>	4720 <i>2141</i>
	LF-W	2415 <i>1095</i>	2625 <i>1191</i>	3135 <i>1422</i>	3790 <i>1719</i>	4965 <i>2252</i>

(mm/kg)

Specifications subject to change without notice.



90" Wide Backframe Optional



INSTALLATION INFORMATION

All Rockland LF Log Forks and Grapples mount in place of the standard bucket using factory pins or specified coupler brackets. Grapples equipped with clamps come complete with all necessary piping and hydraulics, including jumper hoses which connect to the loader's boom arm piping. A three-spool valve and boom arm piping must be installed on the loader to complete the installation.

WARRANTY

Rockland LF Log Forks and Grapples are guaranteed against failure due to defective design, workmanship or materials for a period of two years or 4000 hours.



Distributed by:

ROCKLAND MANUFACTURING CO.
P O BOX 5 **BEDFORD, PA 15522**
800-458-3773 **www.rocklandmfg.com**